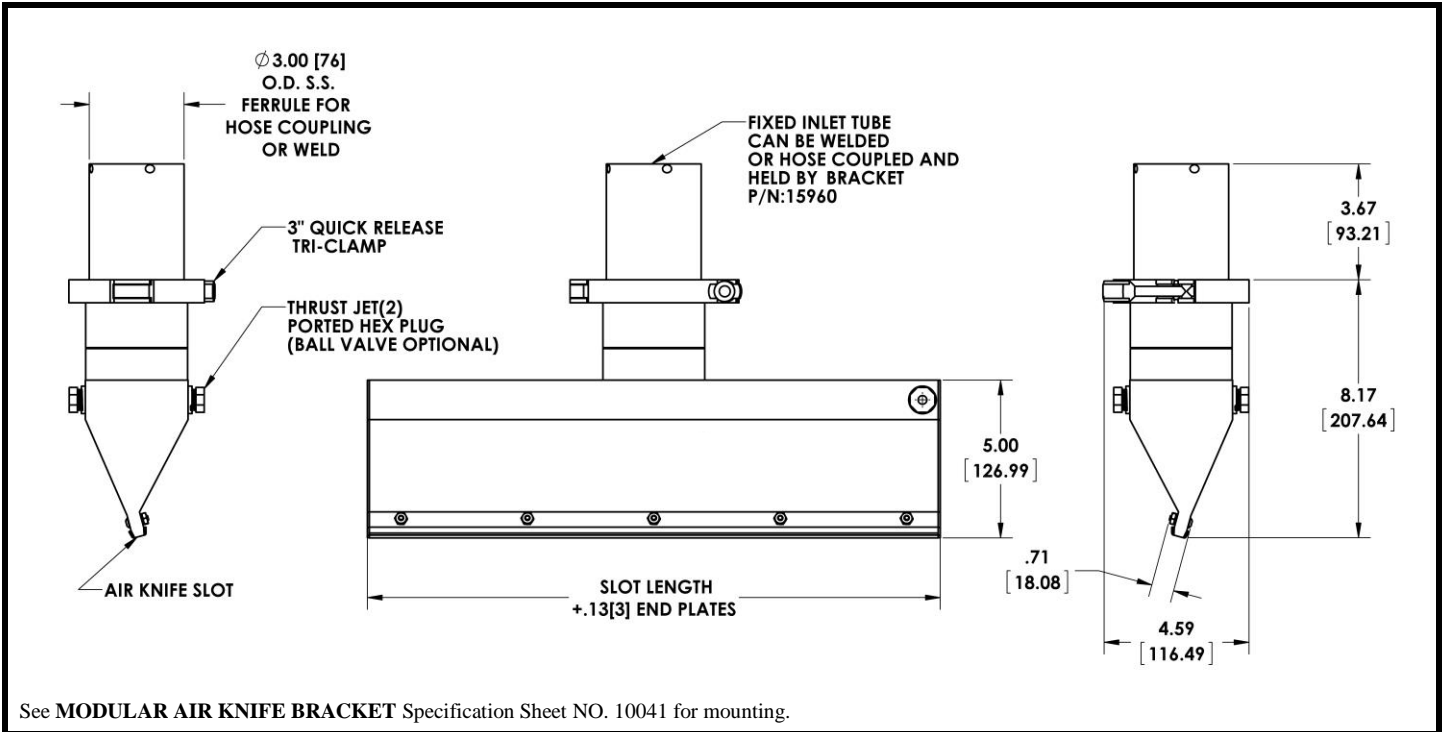


## Product Specification Sheet

# LAMERS ROTARY AIR KNIFE ( PATENTED )



Dimensions in Inches, [ ] are in millimeters

<b>Description</b>	Air Knife, Rotary 3"
<b>Part Number</b>	13390
<b>Standard Slot Lengths</b>	12.0 [305], 18.0 [458], 24.0 [610], 30.0[762], 36.0 [915]
<b>Custom Slot Lengths</b>	6.0 to 42.0in [152 to 1,066.8mm]
<b>Rotating Speed</b>	10 to 200 RPM
<b>Air Flow Rate</b>	3.5 cfm/in to 16.9 cfm/in (65.0 lps/m to 314 lps/m)
<b>Maximum Air Discharge Velocity</b>	38,000 fpm (11,580 mpm)
<b>Temperature Range</b>	-40°F to 250°F (-40°C to 120°C)
<b>Material</b>	Body - 16 Gauge S.S. End Plates - 18 Gauge S.S. Hardware - S.S.
<b>Finish</b>	Electropolish
<b>Weight (Approx.)</b>	6.26 lbs/ft (9.32 g/mm)