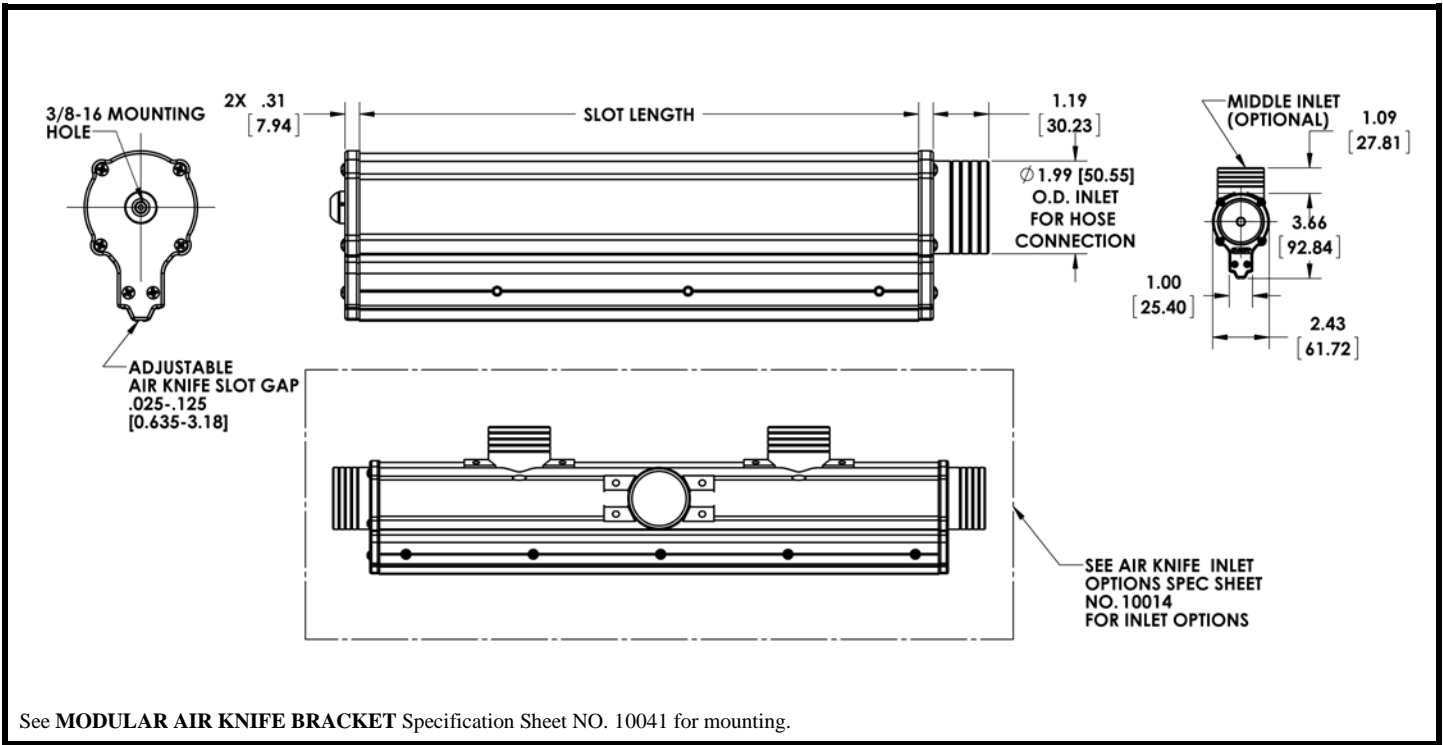


Product Specification Sheet

LAMERS AIR KNIFE - 2" XE

HARD ANODIZED ALUMINUM



Dimensions in Inches, [] are in millimeters

Description	Air Knife 2" XE
Part Number	CALL LAMERS
Standard Slot Length	2.00 to 36.00in [50.8 to 914.0mm]
Custom Slot Length	37.00 to 72.00in [939.8 to 1,828.8mm]
Air Flow Rate	3.5 cfm/in to 16.9 cfm/in (65.0 lps/m to 314.0 lps/m)
Maximum Air Discharge Velocity	38,000 fpm (11,582 mpm)
Temperature Range	-40°F to 275°F (-40°C to 135°C)
Material	Body – 6063 Aluminum Extrusion End/Inlet Cap – Aluminum Hardware- 300 Series S.S.
Finish	Hard Anodized, Type III
Weight (Approx.)	2.00 lbs/ft (2.98 g/mm)