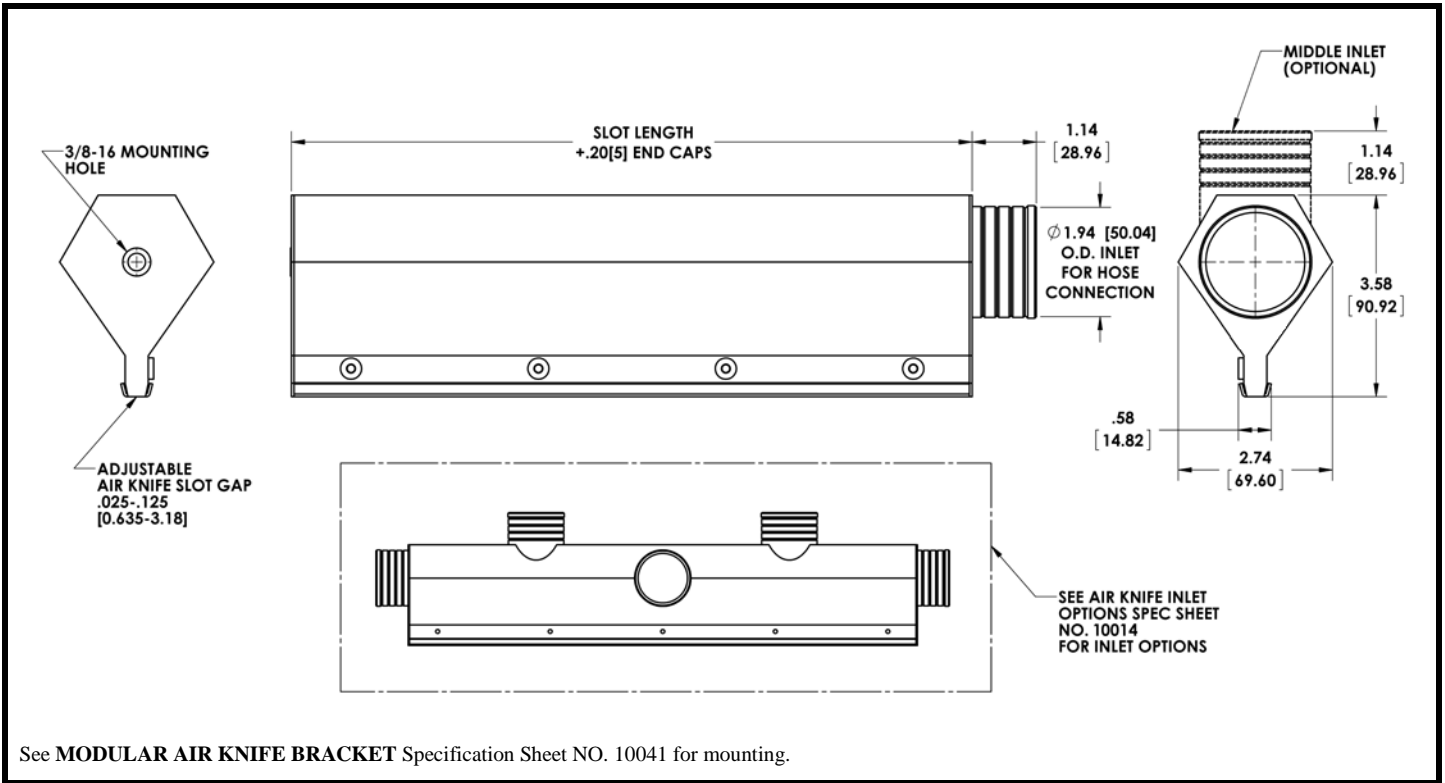


Product Specification Sheet
LAMERS AIR KNIFE - 2" S.S. XE
STAINLESS STEEL



Dimensions in Inches, [] are in millimeters

Description	Air Knife 2" SS
Part Number	CALL LAMERS
Standard Slot Lengths	12.0 [305], 18.0 [458] 24.0 [610]
Custom Slot Lengths	3.0 to 48.0in [76.2 to 1219.0mm]
Air Flow Rate	3.5 cfm/in to 16.9 cfm/in (65.0 lps/m to 314.0 lps/m)
Maximum Air Discharge Velocity	38,000 fpm (11,582 mpm)
Temperature Range	-40°F to 800°F (-40°C to 427°C)
Material	Body - 16 Gauge S.S. End Cap/ Inlet Cap/ Hardware - S.S.
Finish	Electropolish
Weight (Approx.)	1.90 lbs/ft (2.83 g/mm)