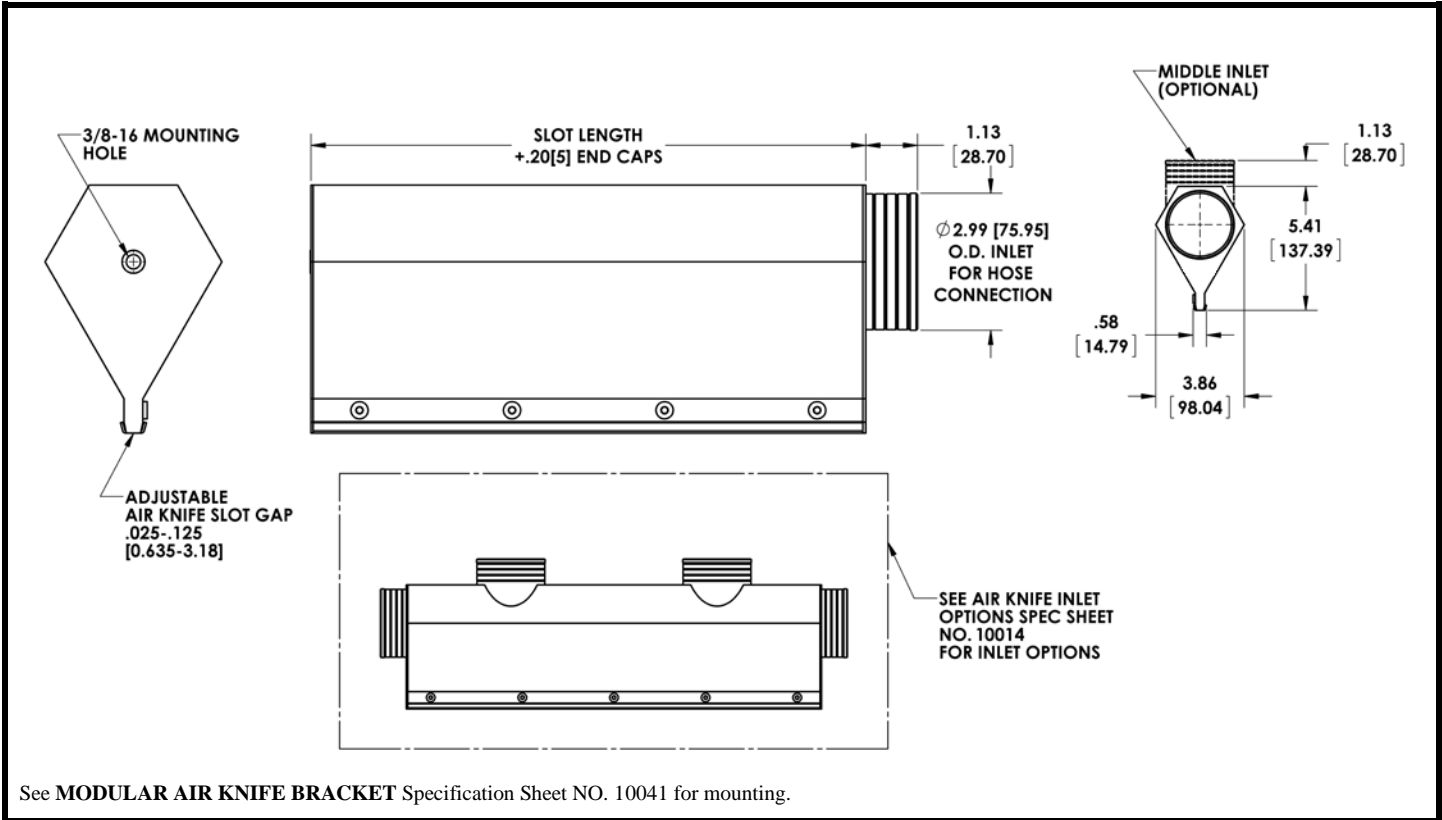


Product Specification Sheet
LAMERS AIR KNIFE - 3" S.S. XE
STAINLESS STEEL



Dimensions in Inches, [] are in millimeters

| | |
|---------------------------------------|---|
| Description | Air Knife 3" S.S. |
| Part Number | CALL LAMERS |
| Standard Slot Lengths | 2.0 [51], 6.0 [153], 12.0 [305], 18.0 [458], 24.0 [610], 30.0 [762], 36.0 [915] |
| Custom Slot Lengths | 3.0 to 100.0in [76.2 to 2540.0mm] |
| Air Flow Rate | 3.5 cfm/in to 16.9 cfm/in (65.0 lps/m to 314.0 lps/m) |
| Maximum Air Discharge Velocity | 38,000 fpm (11,582 mpm) |
| Temperature Range | -40°F to 800°F (-40°C to 427°C) |
| Material | Body - 16 Gauge S.S. End Cap/ Inlet Cap/Hardware - S.S. |
| Finish | Electropolish |
| Weight (Approx.) | 2.75 lbs/ft (4.09 g/mm) |