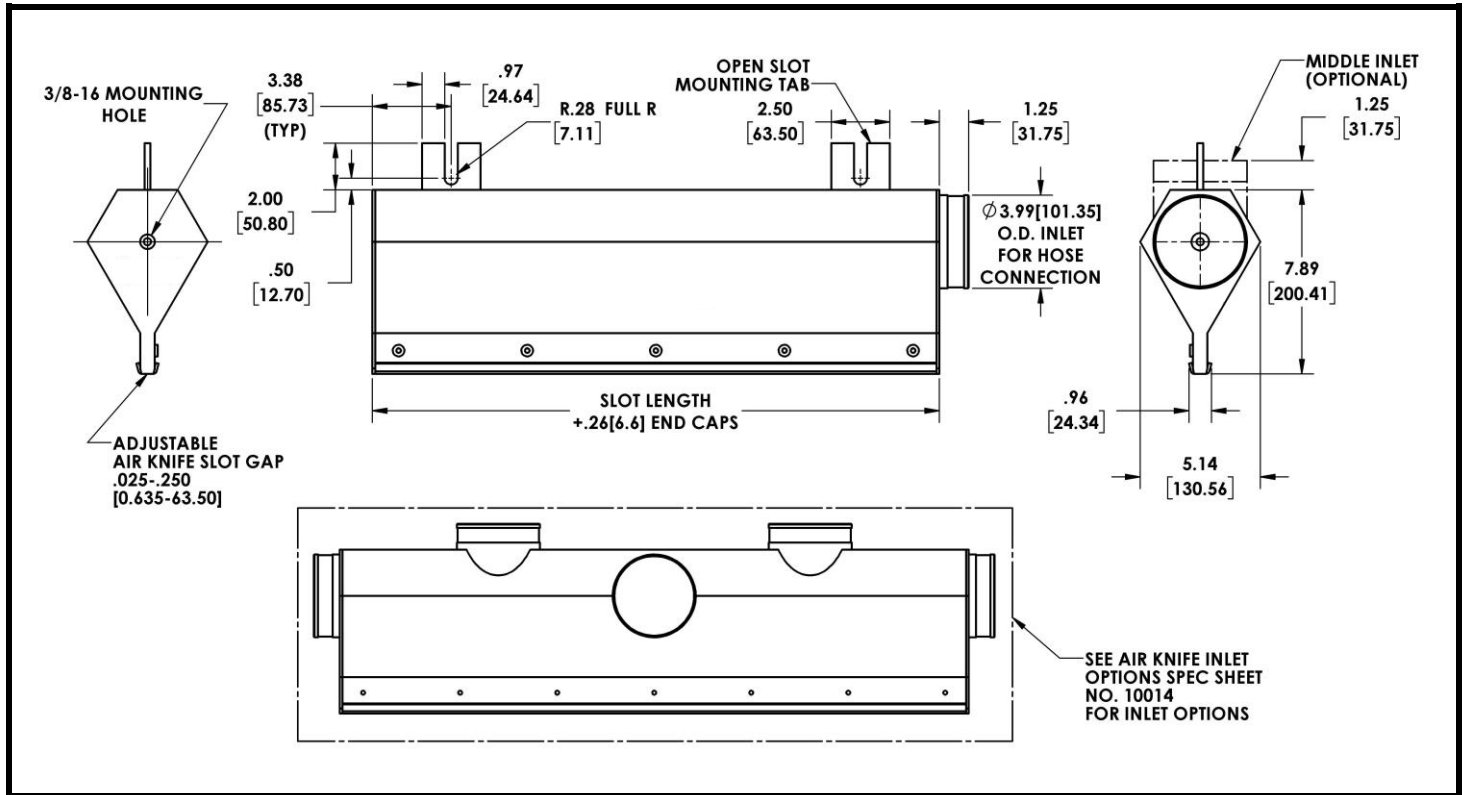


# Product Specification Sheet

## LAMERS AIR KNIFE - 4" XE

### CARBON STEEL OR STAINLESS STEEL



Dimensions in Inches, [ ] are in millimeters

Description	Air Knife 4" Steel	Air Knife 4" S.S.
Part Number	CALL LAMERS	CALL LAMERS
Custom Slot Lengths	36.0 to 100.0in [914,4 to 2540,0 mm]	36.0 to 100.0in [914,4 to 2540,0 mm]
Air Flow Rates	16 cfm/in to 50 cfm/in (297 lps/m to 929 lps/m)	16 cfm/in to 50 cfm/in (297 lps/m to 929 lps/m)
Temperature Range	-40 °F to 250 °F (-40 °C to 120 °C)	800 °F (427 °C)
Material	Body-11 Gauge Carbon Steel Hardware - S.S.	Body-11 Gauge S.S. Hardware - S.S.
Finish	Powder Painted	Electropolish
Weight (Approx.)	10.5 lbs/ft (15.62 g/mm)	10.5 lbs/ft (15.62 g/mm)